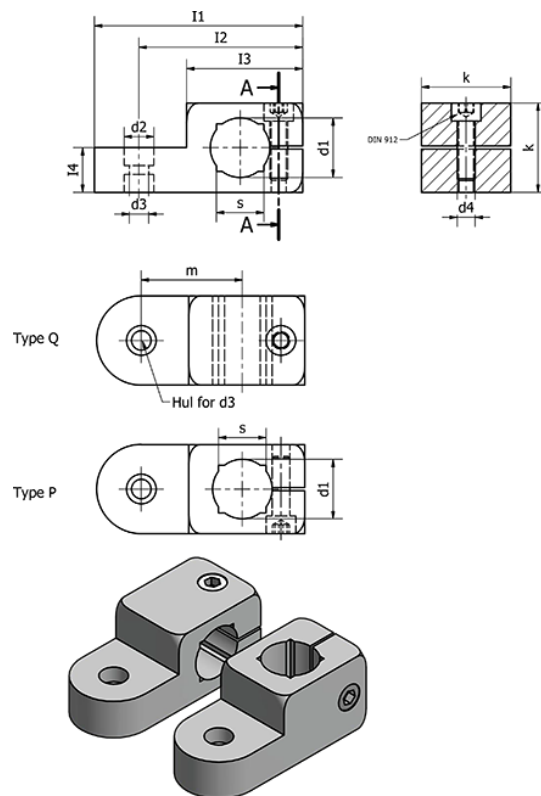


Data Sheet



Article number: 20482B816PELS
 Description: E+G Swivel clamp
 GN 482-B8-16-P-ELS

Measures



| | | | |
|--|-------|------------|--------|
| | = - | l1 | = 40 |
| | = - | l3 | = 32 |
| Clamping kit for d3 = GN 511.1-M4-16-S/K | | l4 | = 8 |
| Clamping kit for d4 = GN 511-M4-16 | | k | = 16 |
| d1 | = 8 | m | = 18.5 |
| d2 | = 7 | s | = - |
| d3 | = 4.5 | Weight (g) | = 19 |
| d4 | = M4 | | |